



# DISPENSING SOLUTIONS > PROGRESS 1000R MOBILE

## ✓ TECHNICAL SPECIFICATIONS

MAIN FEATURES	
Construction	Frame: Galvanized Steel; Double Coated Painting
	Housing/Panels: Aluminum ; Double Coated Painting
	Leaking plate: Stainless steel
	Anti-vibration dampers: Rubber
Admission	Suction: High Performance Compact Gear Pump RTF
Meter	Positive Displacement Meter PTF, with Pulse Generator and Integrated Electronic Calibration
Filters	Reusable Stainless Steel, 100 µm mesh
Motor	Eexd, Single/ Three-Phase, 50/60 Hz w/ Internal Thermal Protection
Calculator	eMC <sup>2</sup> Electronic Modular Calculator, 2nd Generation
Hose	Ø 19 mm (EN1360/EN13483) (VR2 Approved)
Nozzle	Automatic ZVA2, with block system
Fuel Types	Petrol   Diesel
Flow Rates	40, 60, L/min   Up to 1 Product / 1 Hoses
Certificates	ATEX, MID and E1 M3

**HOSE LENGTH:  
10 METERS MAX**



EQUIPMENT CONSUMPTION ESTIMATE	
CONFIGURATION OF THE PUMP	SINGLE PHASE SUPPLY [195;253] V (MAXIMUM CURRENT)
Motors	Standard Flow: 4,5 A
Electronics	0,25 A

Note: values may vary depending on the optional

OTHERS		
- Earthing hose reel	- Main Safety Switch	- Customizable branding
- Volume/amount preset	- Selector Switch 2 positions (On/Off)	

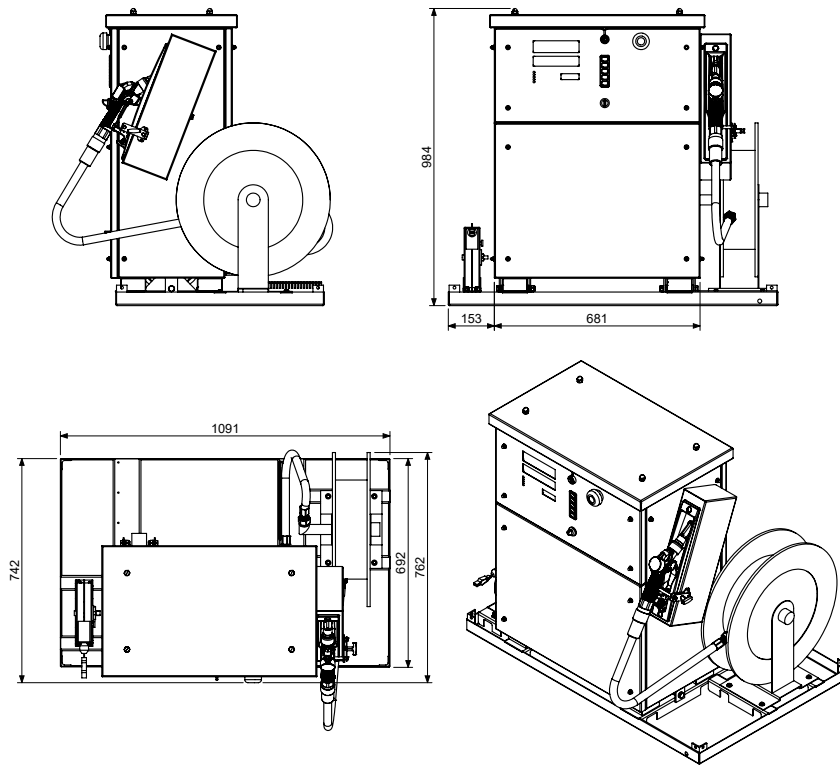


**INTEGRATES WITH MICROSYS:**  
Control the mobile dispenser, authorize a preset amount, manage users and receive payments.

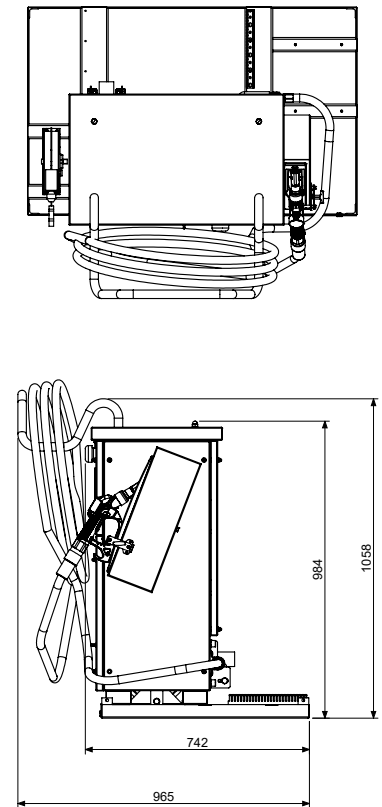
When connected to the Petrotec Cloud Service you can integrate your Fuel-On-Demand station with several petrol stations in a single dashboard.

# ✓ AVAILABLE CONFIGURATIONS

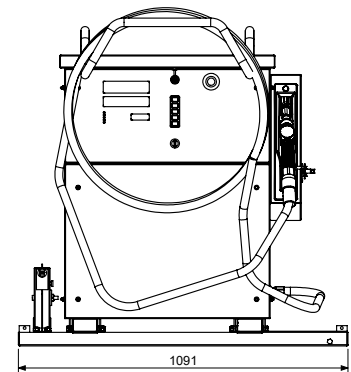
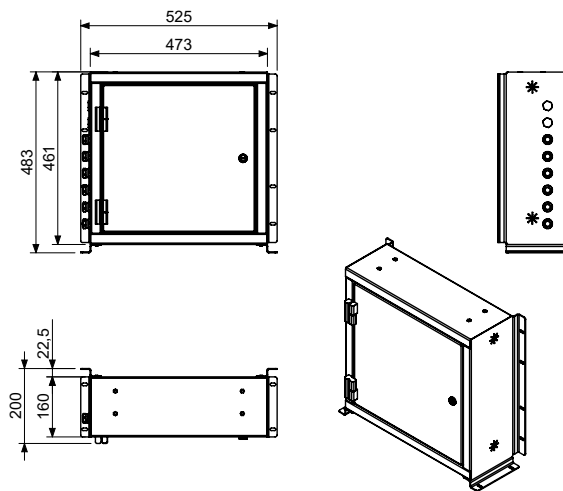
## STANDARD



## VR



## ELECTRONIC BOXES



Note: All dimensions are in mm.

© 2021 Petrotec Group | All rights reserved. Petrotec, the Petrotec logo, Progress and combinations thereof are registered trademarks of Petrotec Group. Other names are informational and may be trademarks of their respective owners. Petrotec is continuously improving its products. Changes on the specifications may occur without prior notice. The imagery used may be indicative of style only. The available brochures are a guide and do not constitute an offer or contract.



**Petrotec**

www.petrotec.com